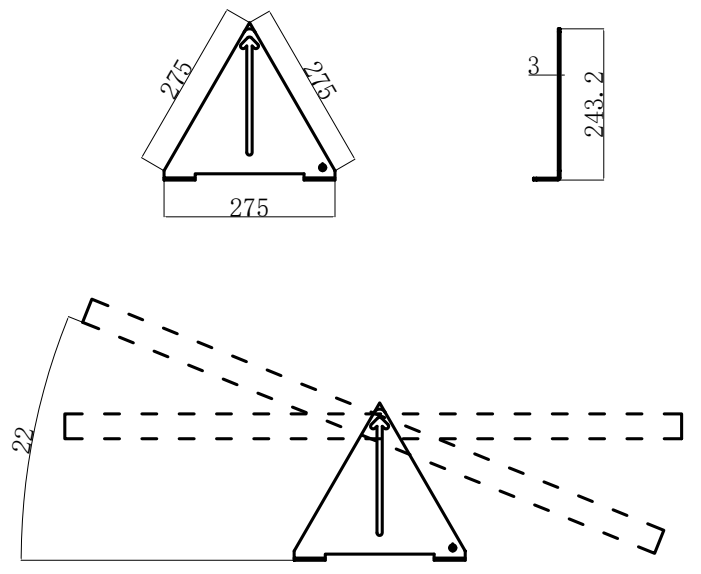
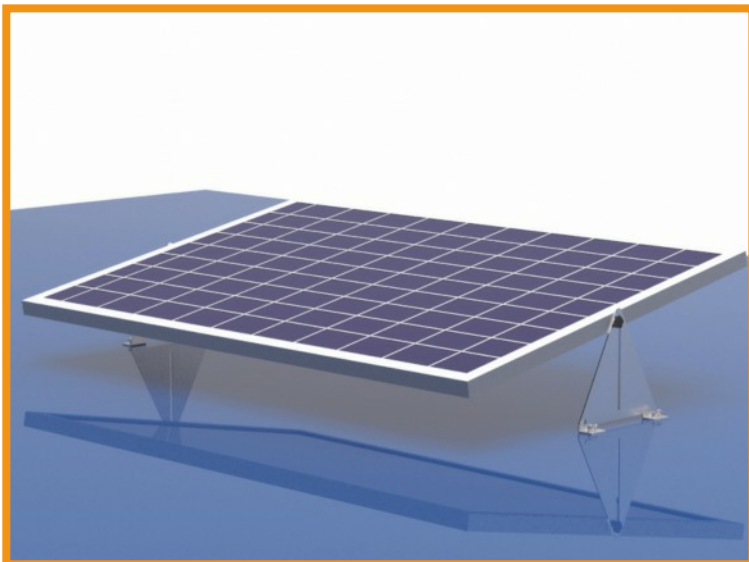
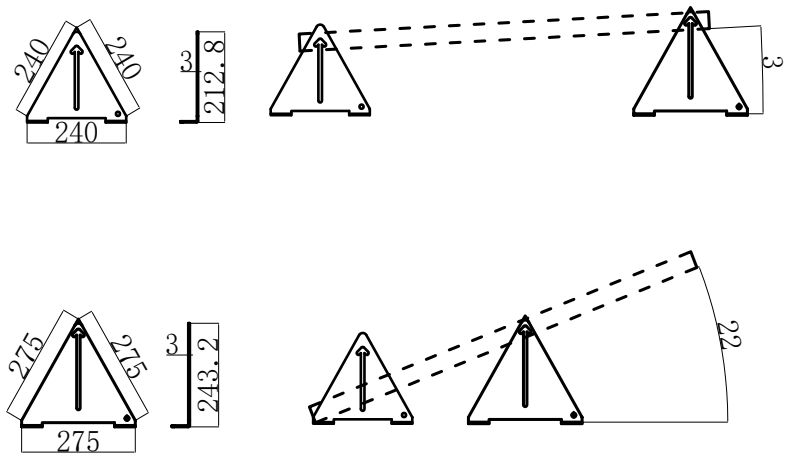


Type A: suitable for 0 ~ 25m / s wind speed. Tilt angle of 1 meter wide solar panel: 0 ° ~ 17 °



Type B: suitable for 0 ~ 25m / s wind speed. Tilt angle of 1 meter wide solar panel: 0 ° ~ 22 °



Type C: suitable for 0 ~ 35m / s wind speed. Tilt angle of 1 meter wide solar panel: 3 ° ~ 22 °